

COATS®

ProRide Diagnostic ProRide Diagnostic PL Wheel Balancer Models



Parts Identification

READ these instructions before placing unit in service. KEEP these and other materials delivered with the unit in a binder near the machine for ease of reference by supervisors and operators.

HENNESSY INDUSTRIES, INC.

1601 J. P. Hennessy Drive, LaVergne, TN USA 37086-3565 615/641-7533 800/688/6359 www.ammcoats.com
HENNESSY INDUSTRIES INC. Manufacturer of AMMCO®, COATS® and BADA® Automotive Service Equipment and Tools.

Manual Part No.: 85607588 01
Revision: 01/12

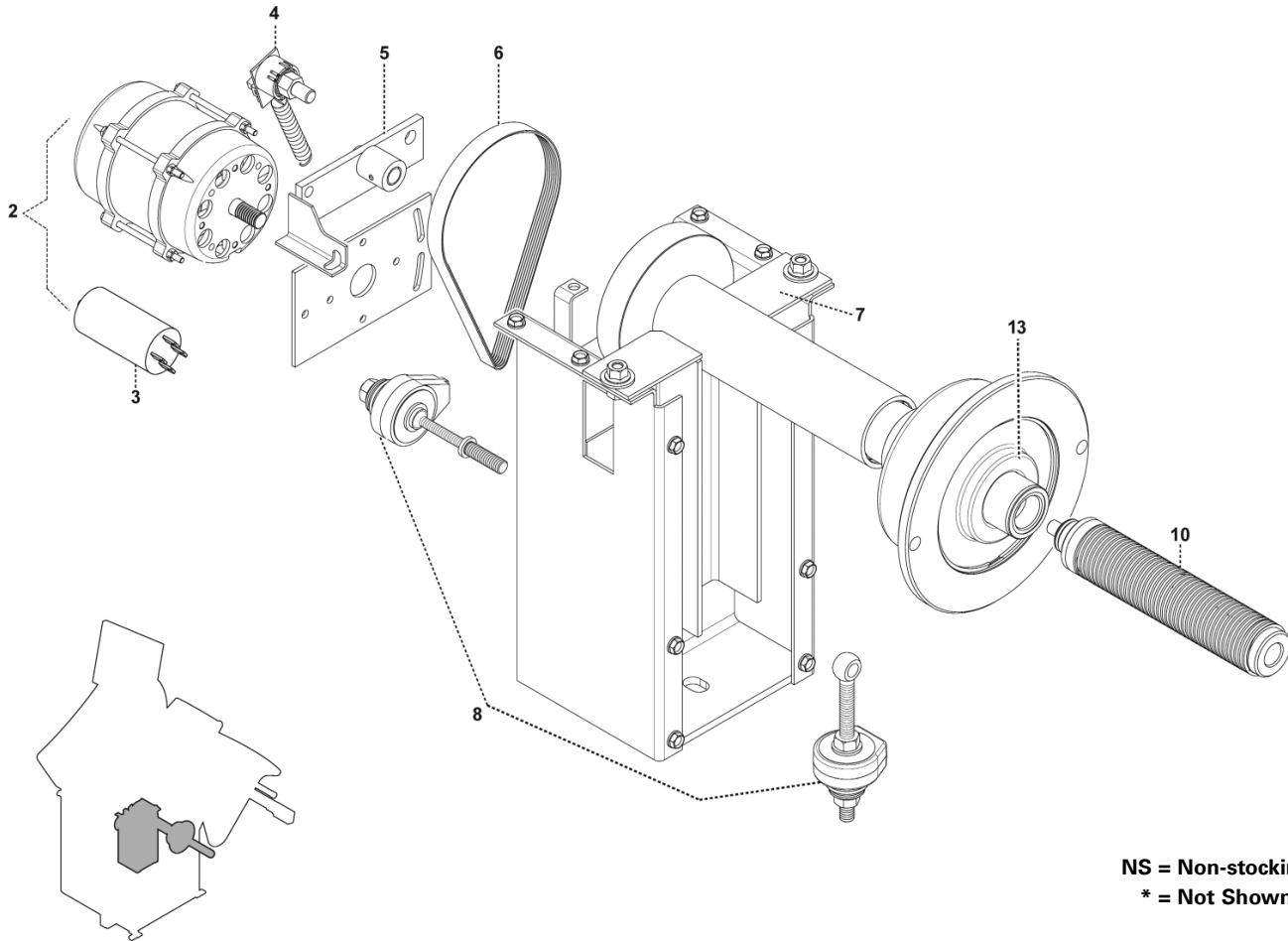
Parts Identification

The following pages include parts breakdowns with exploded view illustrations to help with ordering replacement or spare kits. Assemblies are noted where it is recommended that individual parts not be ordered separately. Note that the parts view illustrations are for multiple models and not all parts shown are on all models. Every effort is made to supply accurate exploded views, however, due to interim changes in manufacturing operations, some units may not be exactly as illustrated.

Table of Contents

Motor And Shaft Assemblies	4
Motor And Shaft Assemblies (PL)	5
Touch Panel And Chassis Assemblies	6
Distance Gauge And Power Panel Assemblies	7
Wheel Guard And Sonar And Assemblies	8
Sonar And Laser Assemblies	9
Hardware	10
Hardware (PL)	11
Wiring Diagram.....	12

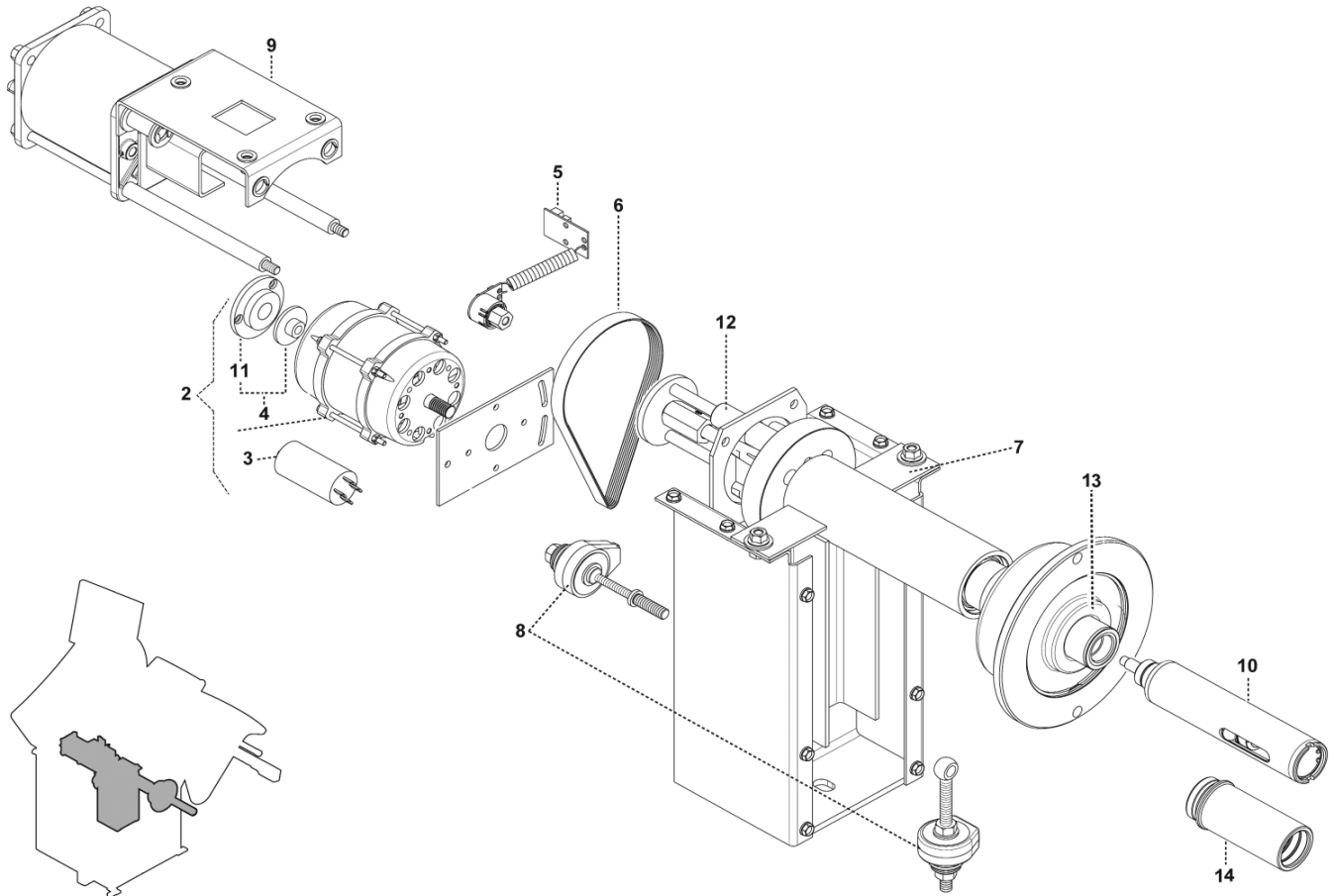
Motor And Shaft Assemblies



NS = Non-stocking
* = Not Shown

Ref	Part #	Description
2	85RFG92630	Motor + Capacitor 115V, 50/60 Hz, CSA
3	8568003568	Capacitor 115V CSA
4	84RSD88662	Compl. Position Pick Up
5	842FB85606	Brake
6	8080048008	Rigid Belt
7	84RFM97281	Shaft Assembly
8	84RFM86798	Piezo Set
10	846FM79967	40mm Stub Shaft
13	85008951	Cover

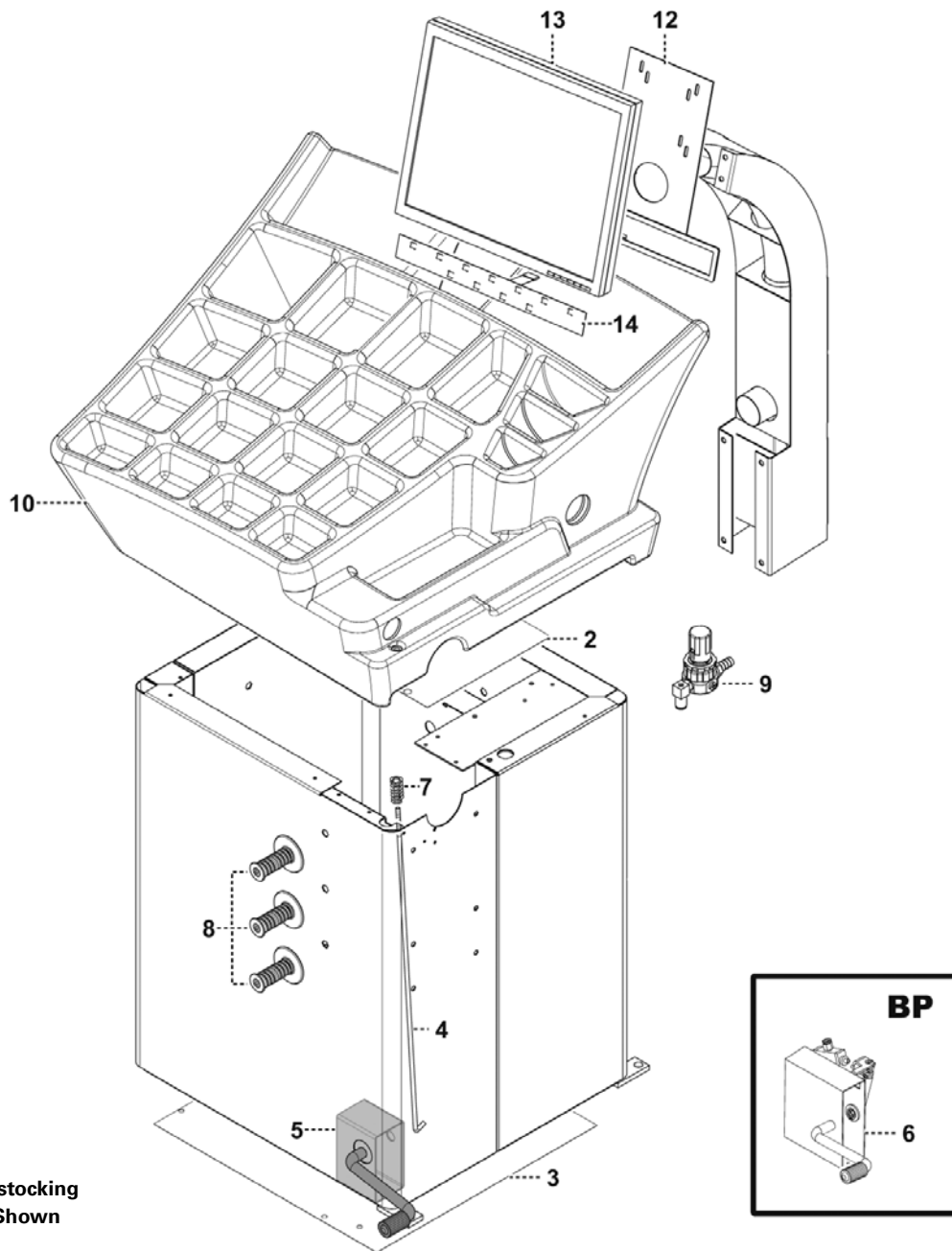
Motor And Shaft Assemblies (PL)



NS = Non-stocking
* = Not Shown

Ref	Part #	Description
2	85RFG97285	Motor + Capacitor 115V, 50/60 Hz, CSA
3	8568005068	Capacitor 115V CSA
4	897000400	Complete Magnetic Brake, PL
5	84RSD88665	Compl. Position Pick Up, PL
6	8080048008	Rigid Belt
7	84RFP97284	Shaft Assembly, PL
8	84RFM86798	Piezo Set
9	846FP91448	Complete Cylinder
10	846FP69526	Pneumatic Stub Shaft, PL
11	897000410	Movable Electric. Lock
12	818FP92491	Gas Spring
13	85008951	Cover
14	840FP52767	Sleeve

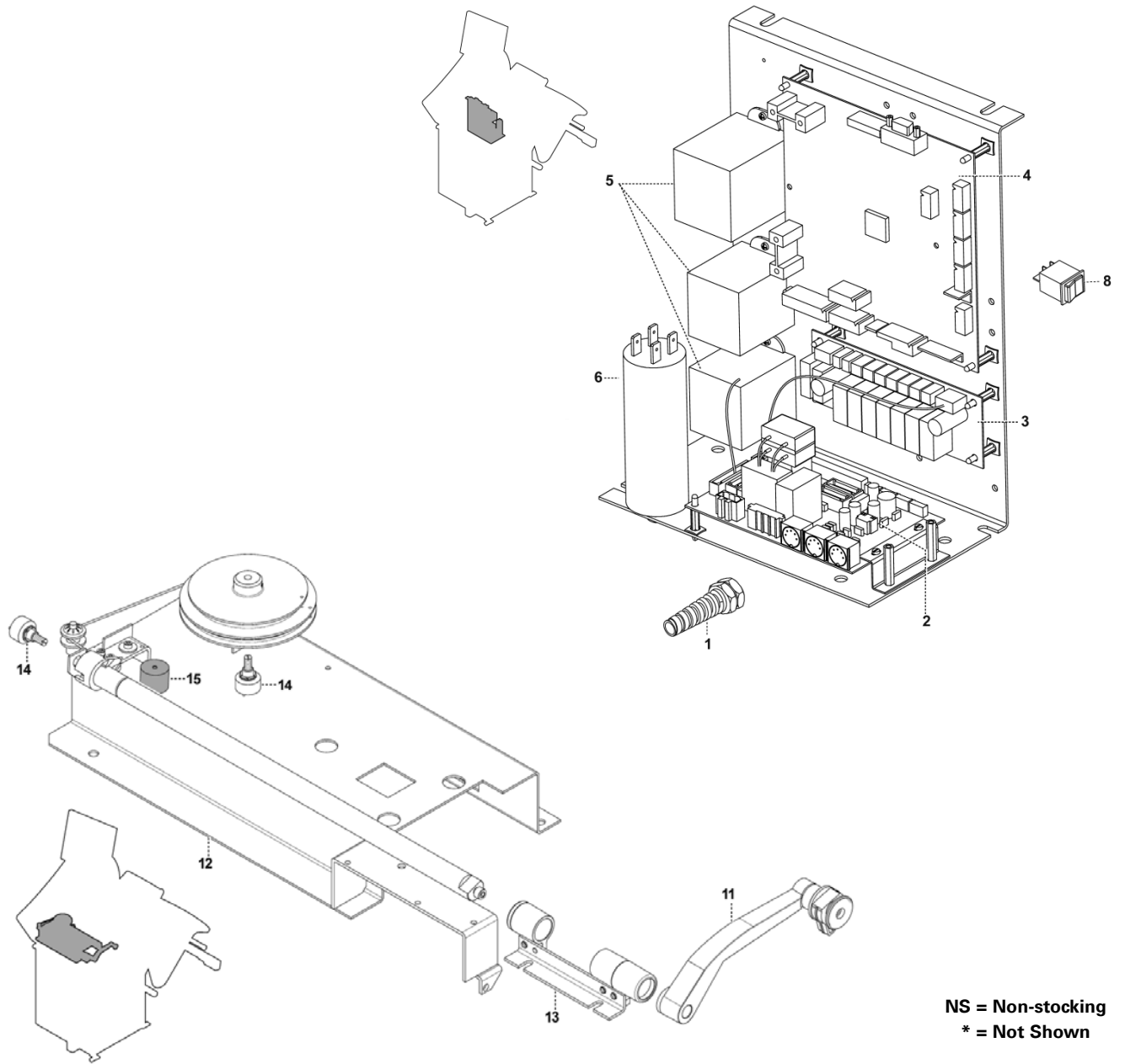
Touch Panel And Chassis Assemblies



NS = Non-stocking
 * = Not Shown

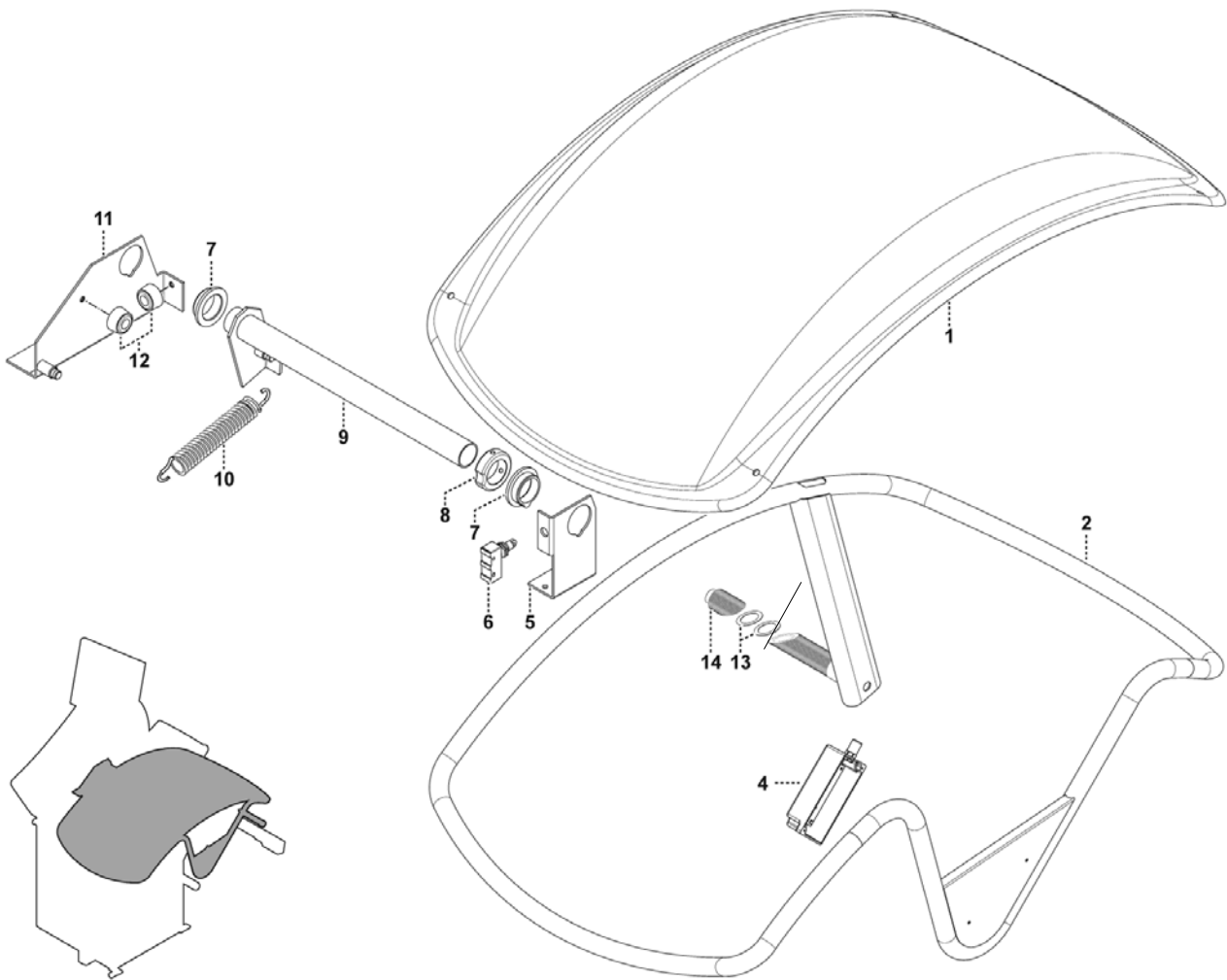
Ref	Part #	Description
NS 2	842FB92437	Top Shield CSA
NS 3	842FB92436	Low Shield CSA
NS 4	842FB84476	Brake Rod
	5	846FB92454 Std. Brake Pedal
	6	846FP92484 Brake Pedal w/Air, PL
NS 7	8181132000	Spring
	8	846FB83094 Pin Kit (Set of 3)
	9	8164000022 Air Regulator
NS 10	814FB88439	Cover With Weight Tray
NS 12	842FB89482	Monitor Plate
	13	8801100183 Monitor
	14	805PR92460 Touch Panel

Distance Gauge And Power Panel Assemblies



Ref	Part #	Description
NS 1	8526003246	Cable Strain Relief
2	867M71110A	PCB - Power Supply
3	867M84679C	PCB - Relay
4	886SC92482	PCB - Computer
5	86SZ97103	Transformer 115V CSA
NS 6	8568003568	Capacitor 115V CSA
NS 8	8511242101	On/Off Switch
*	9	886SB89356 Power Cord (not shown)
11	846FC61931	A & D Arm
12	886FC89147	Compl. Distance Gauge
NS 13	846FC81349	Distance Gauge Bracket
14	886SB67291	Potentiometer
NS 15	886SB86957	Electromagnet

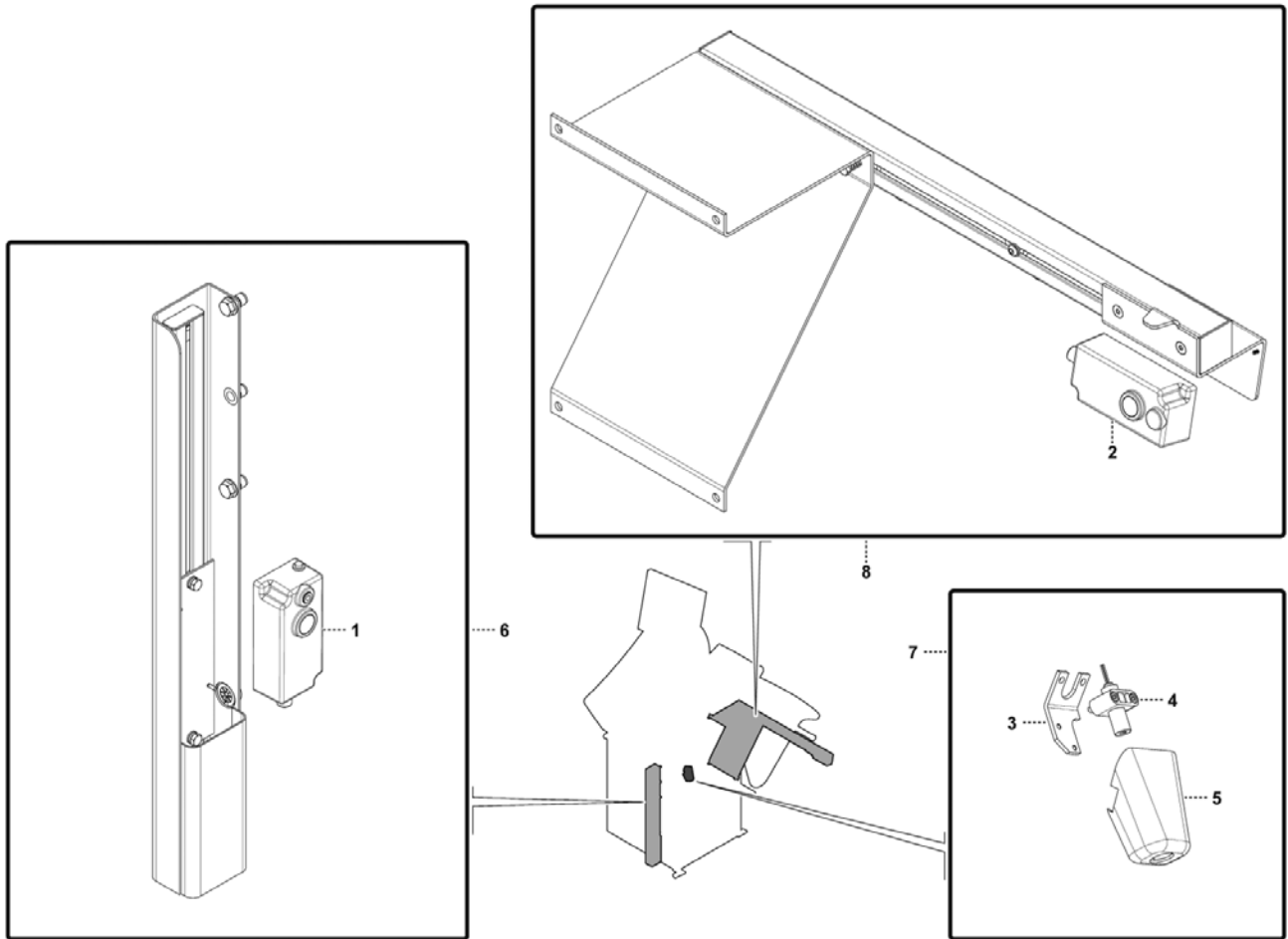
Wheel Guard And Sonar Assemblies



NS = Non-stocking
* = Not Shown

Ref	Part #	Description	Ref	Part #	Description
NS 1	814FW88558	Wheel Guard	NS 11	842FW90555	Lg. Guard Support
NS 2	842FW88544	Wheel Guard Tube	12	8212000351	Hood Bumper
4	886SB92626	Sonar - Hood	13	842FW90266	Sliding Washer
NS 5	842FW88531	Sm. Guard Support	14	842FW89349	Wheel Guard Pad
6	886SB96678	Microswitch	* 15	842FW86145	Hood Spacer (early units)
7	8217019275	Hood Bushing			
8	814FW70362	Hood Ring			
NS 9	842FW88538	Protection Tube			
NS 10	8182099630	Wheel Guard Spring			

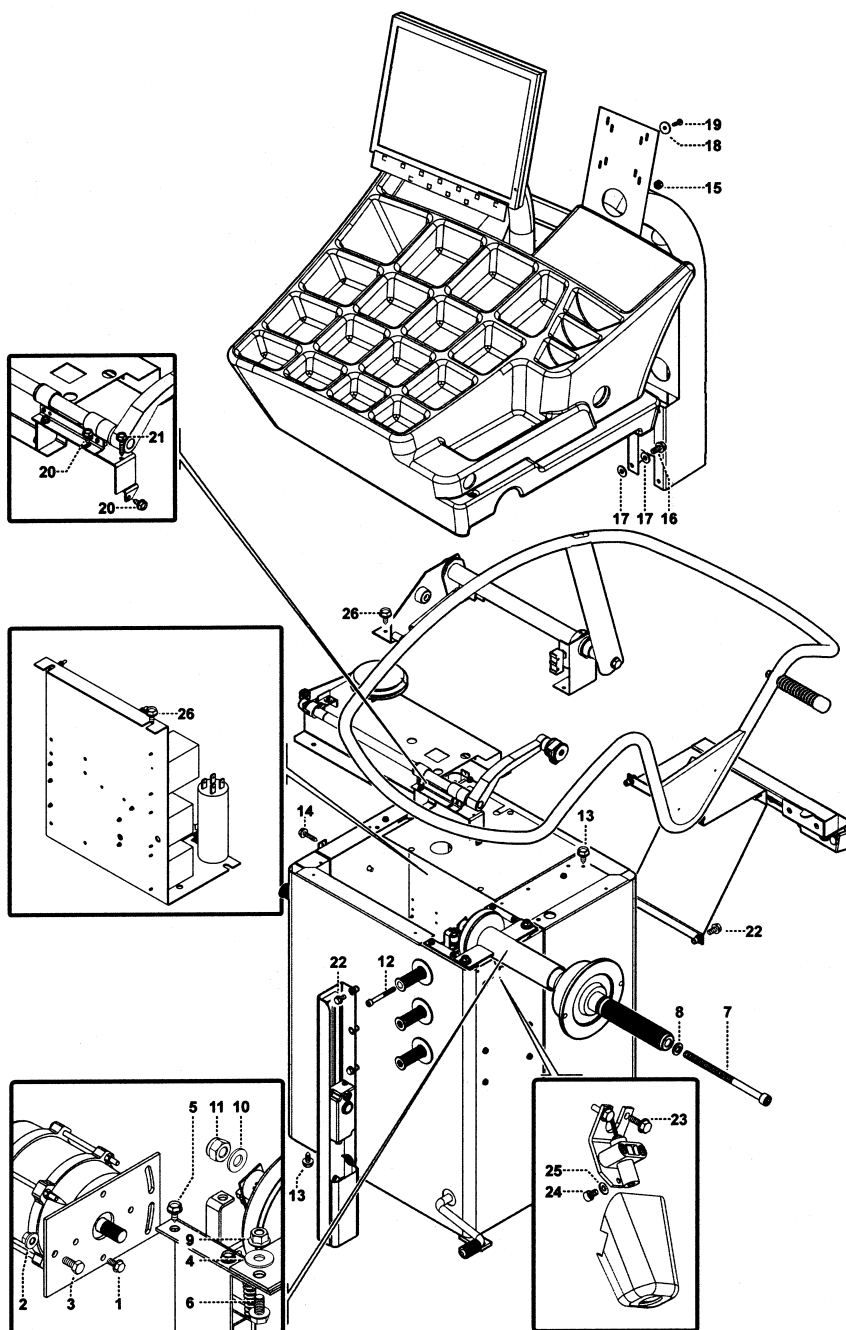
Sonar And Laser Assemblies



Ref	Part #	Description
	1	886SB97110 Sonar - Lateral
	2	886SB92626 Sonar - Radial
	3	842RS82098 Laser Bracket
	4	886SB97108 Laser w/Cable
	5	814RS81933 Laser Cover
NS	6	886SB89162 Lateral Sonar Kit (optional accessory, incl. hardware)
	7	86SB97109 Laser Assembly
	8	886SB92443 Sonar Assembly

NS = Non-stocking
*** = Not Shown**

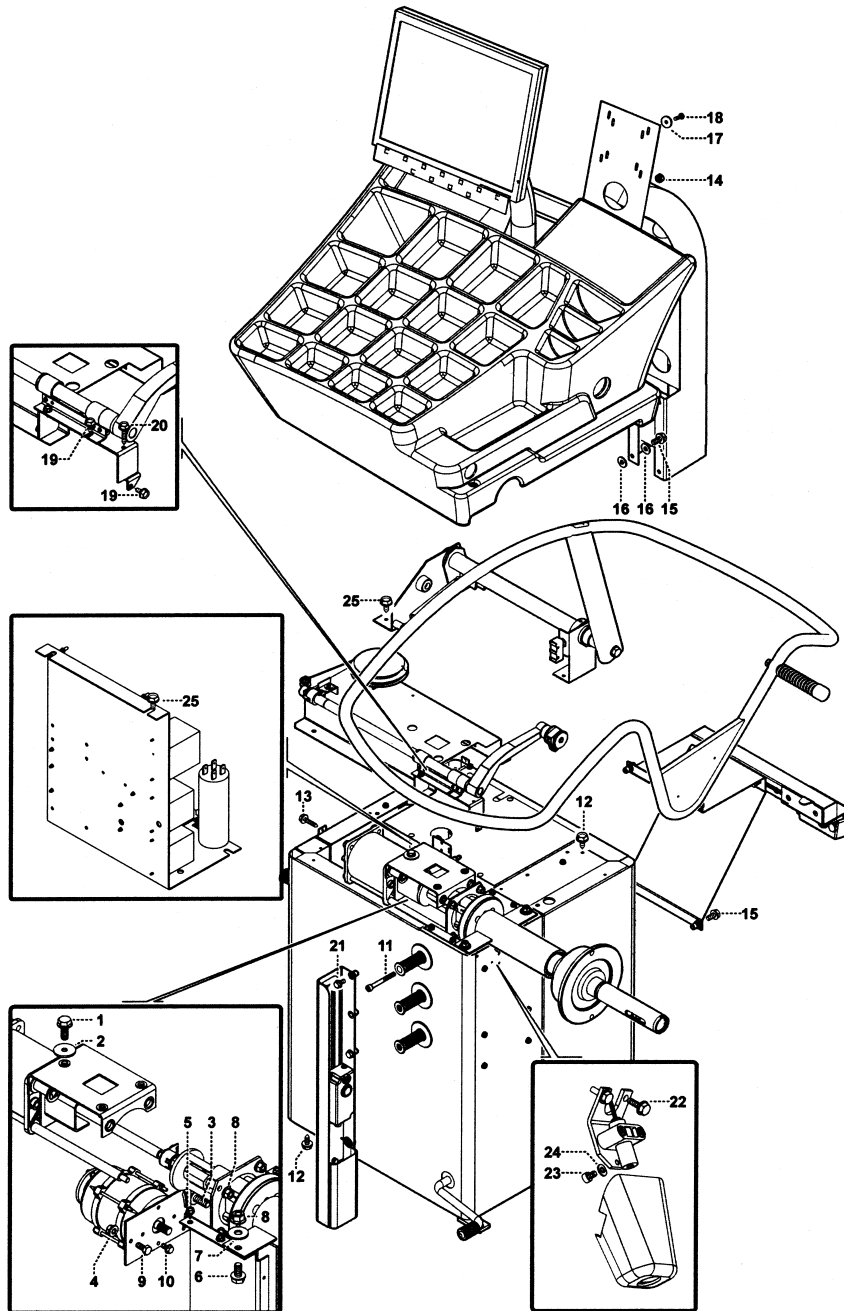
Hardware



NS = Non-stocking
* = Not Shown

Ref	Part #	Description	Ref	Part #	Description
NS 1	8310230510	Flange Screw, M5 x 10	NS 14	8311920400	Self Tap Scr., D6, 3 x 25, UNI6950, 8
NS 2	8320233006	Flange Nut, M6 DIN6923, 8DIN267	NS 15	8321232006	Nut, M6, UNI5588, 8.8
NS 3	8311220070	Screw, HHCS, M6 x 14, UNI5739, 8.8	NS 16	8310230816	Flange Bolt, M8 x 16, DIN6921, 8.8
NS 4	8326035009	Washer, D8.5, 5 x 24, DIN6593, 8.8	NS 17	8326035009	Washer, D8.5, 5 x 24, DIN6593, 8.8
NS 5	8311920380	Self Tap Scr., D6, 3 x 13, UNI6950, 8	NS 18	8326035004	Washer, D4.5, 5 x 12, DIN6593, 8.8
NS 6	8310230816	Flange Bolt, M8 x 16, DIN6921, 8.8	NS 19	8317232036	Scr., CRSHD, M4 x 15, UNI7687, 8.8
NS 7	8312120137	Screw, M10 x 160	NS 20	8311920380	Self Tap Scr., D6, 3 x 13, UNI6950, 8
NS 8	8325047011	Knurled Washer, D10.5, DIN6798, 8.8	NS 21	8311920400	Self Tap Scr., D6, 3 x 25, UNI6950, 8
NS 9	8320233008	Flange Nut, M8, DIN6923, 8DIN267	NS 22	8310230816	Flange Bolt, M8 x 16, DIN6921, 8.8
NS 10	8325035010	Washer, D0, 5 x 30	NS 23	8311920200	Self Tap Scr., D4, 8 x 13, UNI6950, 8
NS 11	8321233010	Self-lock Nut, M10, UNI7473, 8.8	NS 24	8312120030	Screw, HHCS, M4 x 6, UNI5931, 8.8
NS 12	8312120103	Screw, HHCS, M8 x 70, UNI5931, 8.8	NS 25	8325035004	Washer, D4 x 9
NS 13	8311920380	Self Tap Scr., D6, 3 x 13, UNI6950, 8	NS 26	8311920380	Self Tap Scr., D6, 3 x 13, UNI6950, 8

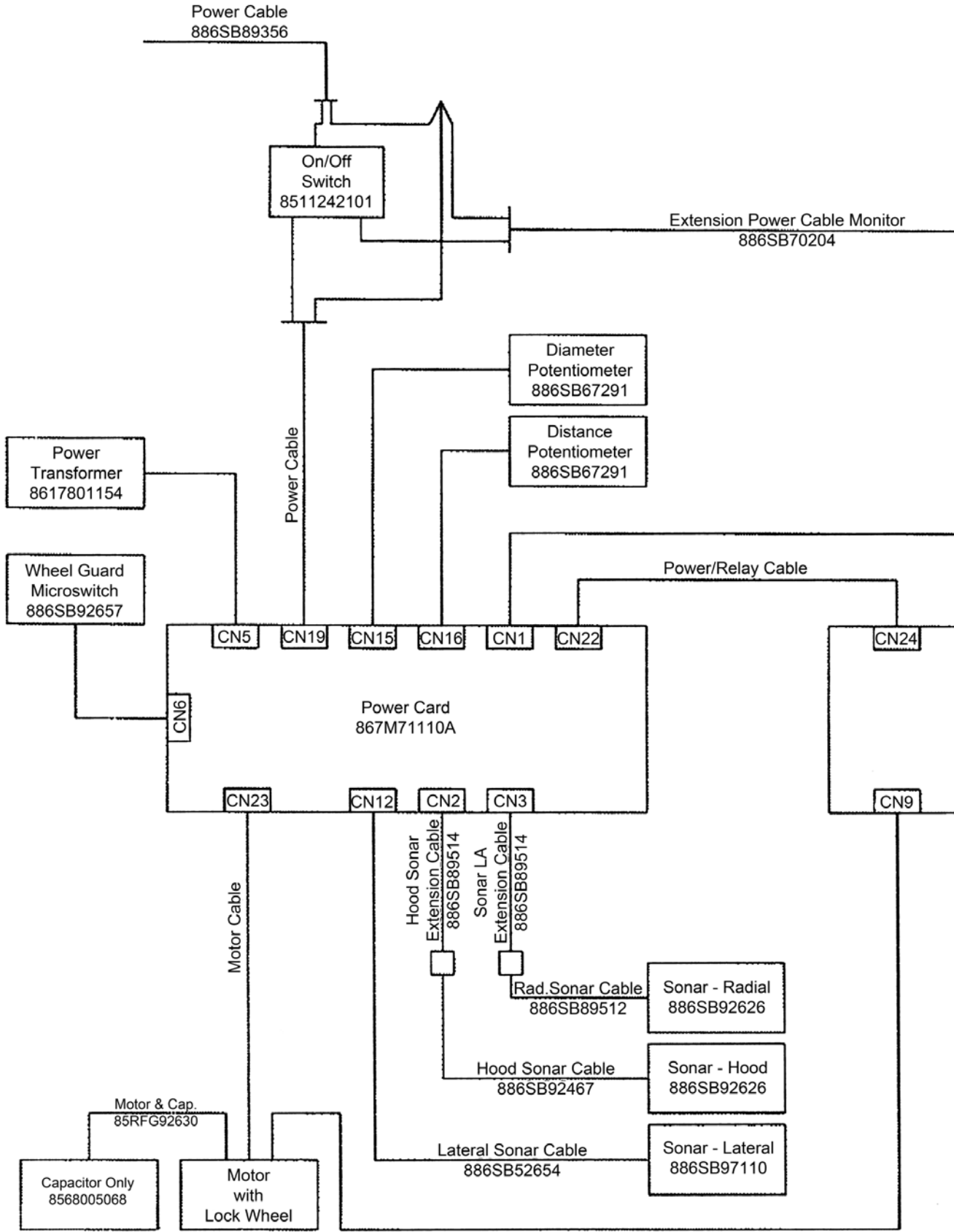
Hardware (PL)

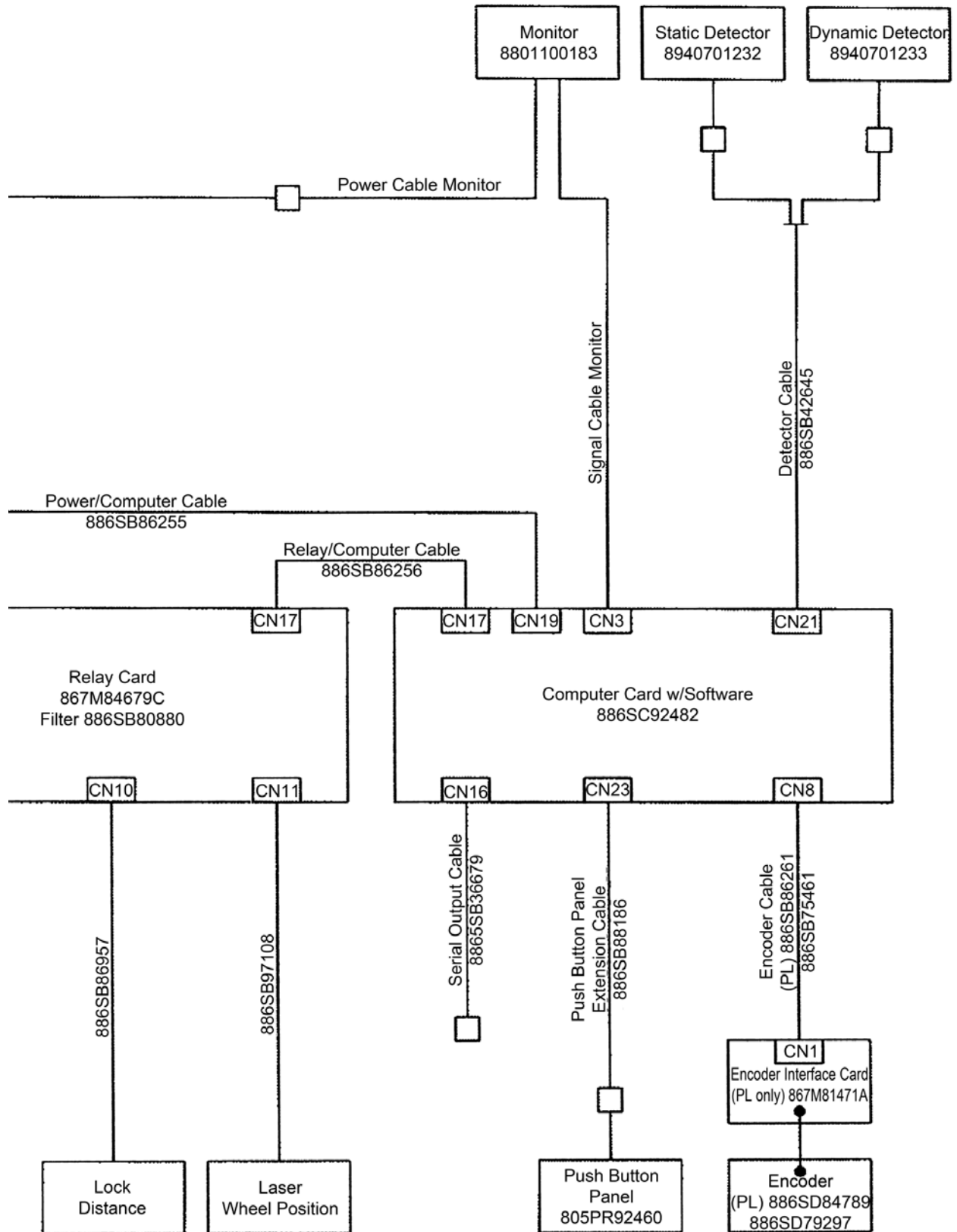


NS = Non-stocking
* = Not Shown

Ref	Part #	Description	Ref	Part #	Description
NS 1	8310230820	Flange Bolt, M8 x 20, DIN6921, 8.8	NS 14	8321232006	Nut, M6, UNI5588, 8.8
NS 2	8325035009	Washer, D8.5 x 32, UNI6593, 8.8	NS 15	8310230816	Flange Bolt, M8 x 16, DIN6921, 8.8
NS 3	8310230820	Flange Bolt, M8 x 20, DIN6921, 8.8	NS 16	8326035009	Washer, D8.5, 5 x 24, DIN6593, 8.8
NS 4	8320233006	Flange Nut, M6 DIN6923, 8DIN267	NS 17	8326035004	Washer, D4.5, 5 x 12, DIN6593, 8.8
NS 5	8311920380	Self Tap Scr., D6, 3 x 13, UNI6950, 8	NS 18	8317232036	Scr., CRSHD, M4 x 15, UNI7687, 8.8
NS 6	8310230816	Flange Bolt, M8 x 16, DIN6921, 8.8	NS 19	8311920380	Self Tap Scr., D6, 3 x 13, UNI6950, 8
NS 7	8326035009	Washer, D8.5, 5 x 24, DIN6593, 8.8	NS 20	8311920400	Self Tap Scr., D6, 3 x 25, UNI6950, 8
NS 8	8320233008	Flange Nut, M8, DIN6923, 8DIN267	NS 21	8310230816	Flange Bolt, M8 x 16, DIN6921, 8.8
NS 9	8311220070	Screw, HHCS, M6 x 14, UNI5739, 8.8	NS 22	8311920200	Self Tap Scr., D4, 8 x 13, UNI6950, 8
NS 10	8310230510	Flange Screw, M5 x 10	NS 23	8312120030	Screw, HHCS, M4 x 6, UNI5931, 8.8
NS 11	8312120103	Screw, HHCS, M8 x 70, UNI5931, 8.8	NS 24	8325035004	Washer, D4 x 9
NS 12	8311920380	Self Tap Scr., D6, 3 x 13, UNI6950, 8	NS 25	8311920380	Self Tap Scr., D6, 3 x 13, UNI6950, 8
NS 13	8311920400	Self Tap Scr., D6, 3 x 25, UNI6950, 8			

Wiring Diagram





Notes

Notes

